



At each stage of the transformer's life cycle SANERGRID® offers a complete portfolio of solutions in order to mitigate the industrial risk of soil and water pollution and fire risk.

SANERGRID® design and manufacture a wide range of containment or tanks to ensure the retention of the dielectric oil contained in electrical transformers.

For new or existing installations, medium or high voltage, indoor or outdoor use, for transformers energized or in storage, with fire extinguishing cover or equipped with rainwater filtration systems.



SANERGRID® oil retention tanks and containment solutions for electrical transformers :

Standard range from 160 to 10 MVA - special custom-made solutions up to 300 MVA

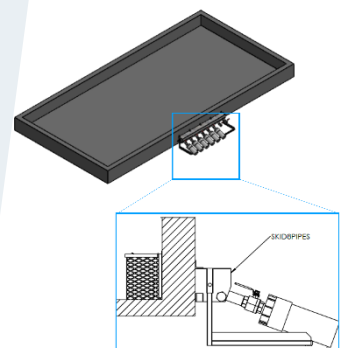
Tanks: removable wall BDRG™ - all welded TRT® - flexible retention bund TRFLEX® - extinguishing retention tanks ERT® - modular tanks TRT® - fire extinguishing covers and gratings EXTICOV®CCF™ and LHD®...

SPI® rainwater anti-hydrocarbon filtration systems

SPI® hydrocarbon water filters are special cartridges and solutions that allow you to drain hydrocarbon contaminated rainwater in a simple and efficient way by guaranteeing low hydrocarbon concentration levels in the discharged water.

The filtration unit allows the bund to be drained of water which decreases the risk of oil spillage if a transformer oil leak was to occur.

SPI® is the inventor and world leader in oil/water filtration for electrical transformers, and we are able to provide for all dielectric oil : mineral, synthetic or natural ester.





SYNERDIS®
ENERGIES ARE HUMANS

Animal mitigation & protection covers



The animal mitigation range MIDSUN® is an easy to install and cost-effective solution to bird, animal and weather-related breakdowns.

The simplicity and robustness of the MIDSUN products has made this solution one of the most reliable and quality-oriented protection solutions for low-voltage and medium-voltage outdoor substations.

MIDSUN® Avifaune Protection

No heating or glue, removable, high UV resistance

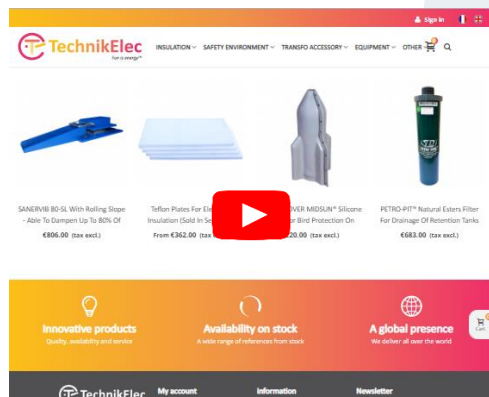
E/TAPE™, E/FOURREAU™, E/PLAQUE™, E/PEINTISO™, E/COVER™, E/INSULATION™



GALVAGRID™ Rust ANODE™ anti-corrosion coating innovation

GALVAGRID™ Rust ANODE™ Galvanic coating is a revolutionary anti-corrosion treatment that provides active cathodic protection for steel structures. This technology is the result of 20 years of development and use with NATO.

The compound fuses with raw steel, old or new zinc coatings and recharges the cathodic protection of galvanized and/or metallized steel. GALVAGRID™ Rust ANODE™ is comparable to the hot-dip galvanizing process while being applied at room temperature to either new or old metallic structures. Once applied under our supervision, GALVAGRID™ technology offers you unprecedented corrosion protection by providing up to C5H, even in heavy saline conditions.



TECHNIKELEC®: our E-SHOP for HV and MV transformer accessories

TECHNIKELEC® is the SANERGRID® Group's online purchasing portal dedicated to the electrical power industry.

The website allows quick purchase process, an availability on stock as well as a fast delivery, while having the possibility to benefit from a technical assistance.

Create your cart, pay by credit card, bank transfer or negotiated conditions if you benefit from a special company rate.

Follow us:



GROUP LEAFLET [ENVO-2304]